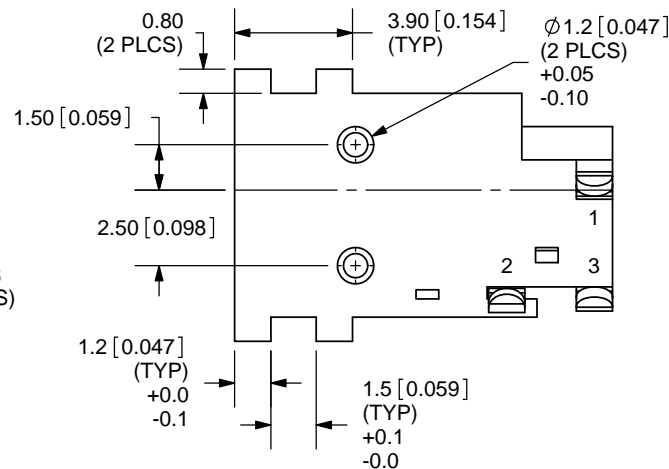
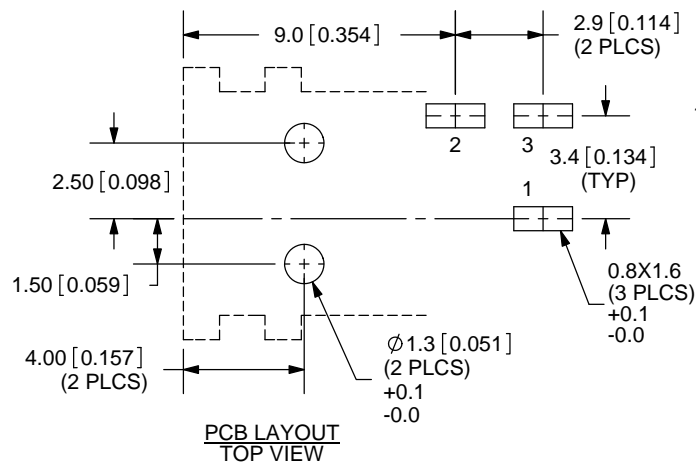
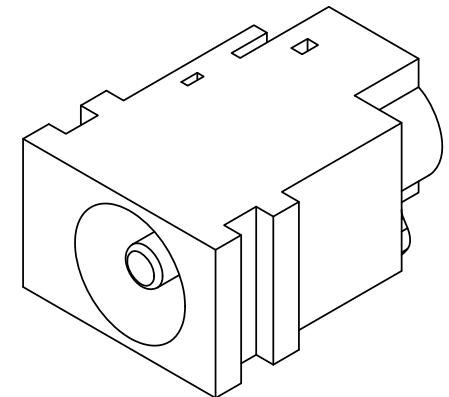
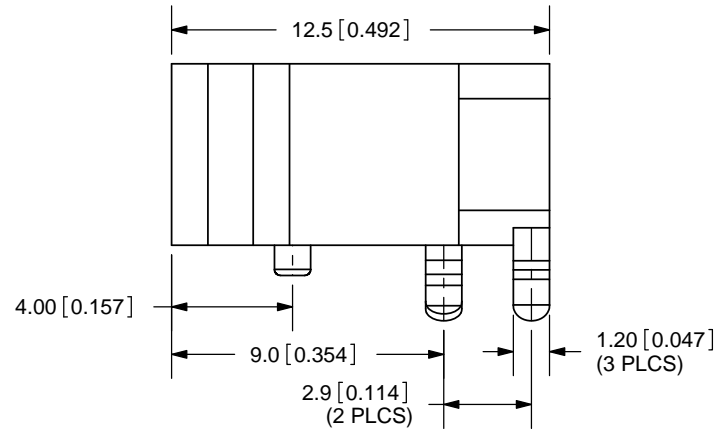
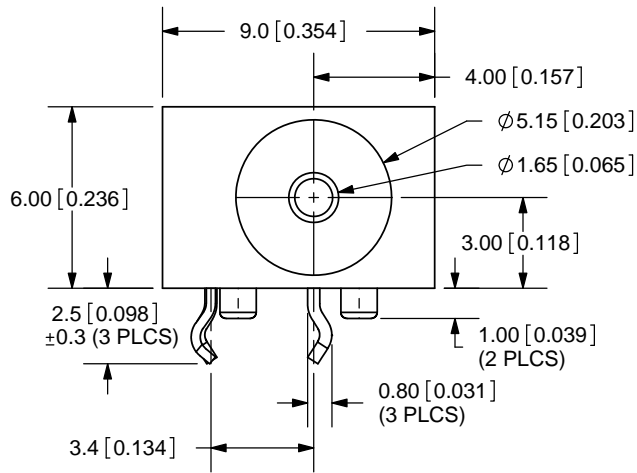


REV.	DESCRIPTION	DATE
A	NEW DRAWING	7/30/2007



TOLERANCE:  
 X.X±0.2mm  
 X.XX±0.1mm  
 X.XXX±0.05mm



MODEL NO.	PJ-042H
SCHMATIC	

CENTER PIN DIAMETER 1.65mm Dia.

**SPECIFICATIONS:**  
 RATING: 16V DC @ 5A  
 CONTACT RESISTANCE: 50m OHMS MAX  
 INSULATION RESISTANCE: 100M OHMS MIN: 500V DC  
 VOLTAGE WITHSTAND: 500V AC R.M.S. FOR 1 MINUTE  
 LIFE: 5,000 CYCLES

	MATERIAL	PLATING
TERMINAL 1	Brass	Silver
TERMINAL 2	Copper Alloy	Silver
TERMINAL 3	Brass	Silver
BODY	PA66	

TITLE: DC POWER JACK	REV: A
PART NO. PJ-042H	UNITS: MM [INCHES]
DRAWN BY: ZRJ	APPROVED BY:
	SCALE: 4:1

PC FILE NAME:  
PJ-042H

COPYRIGHT 2007 BY CUI INC.



2050 SW 112th Ave.  
 Tualatin, OR 97062  
 Phone: 503-612-2300  
 800-275-4899  
 Fax: 503-612-2383  
 Website: www.cui.com